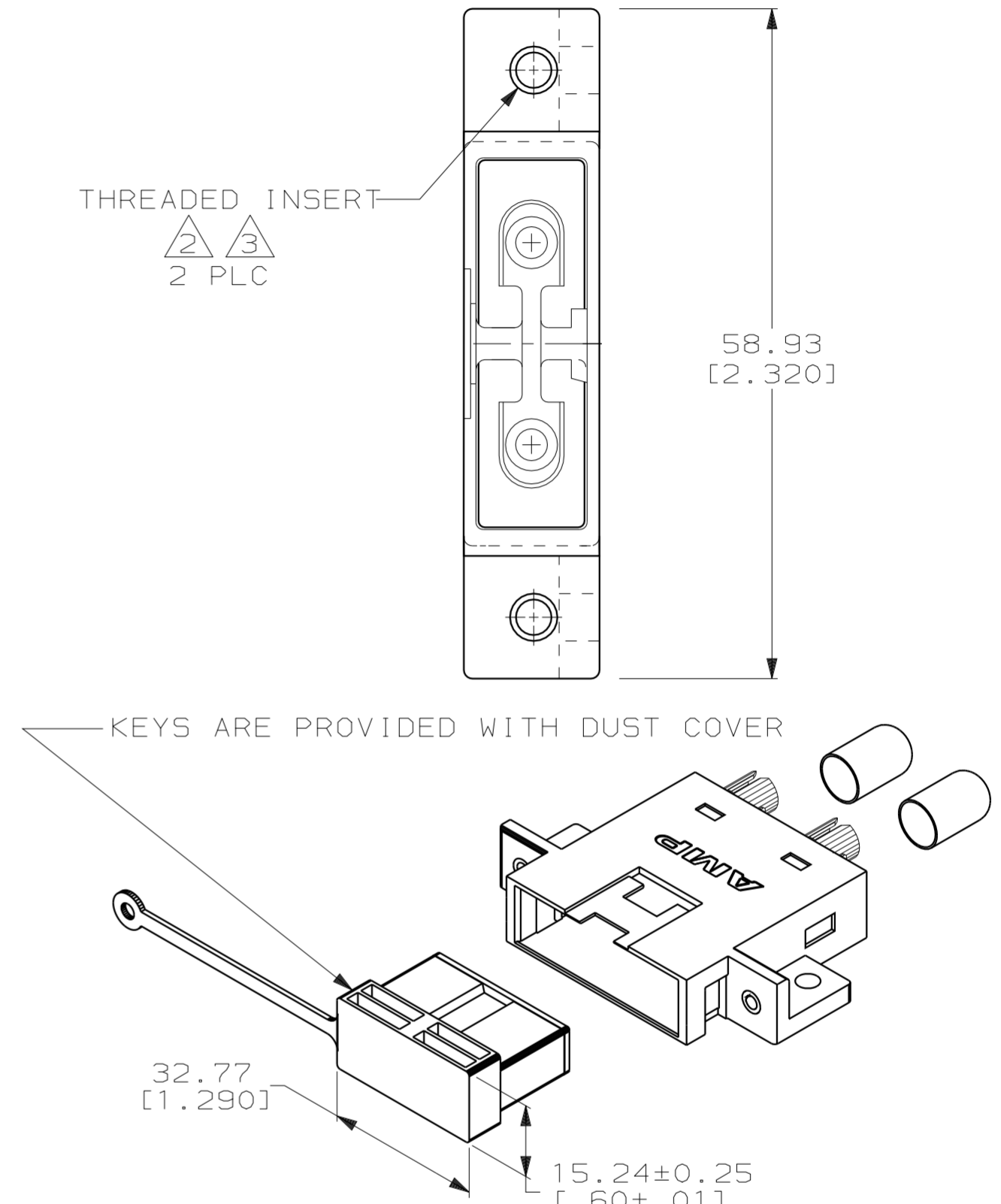
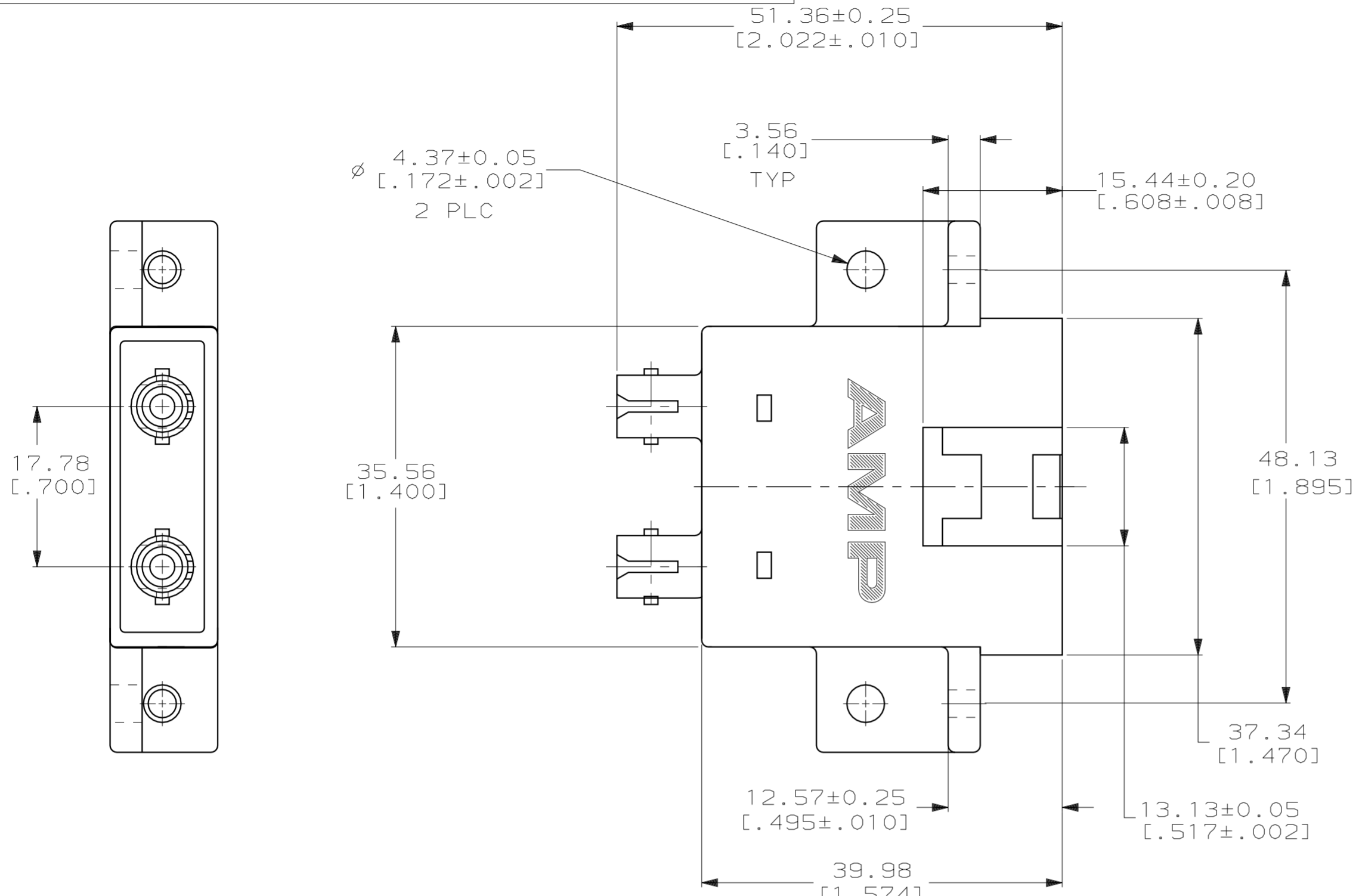
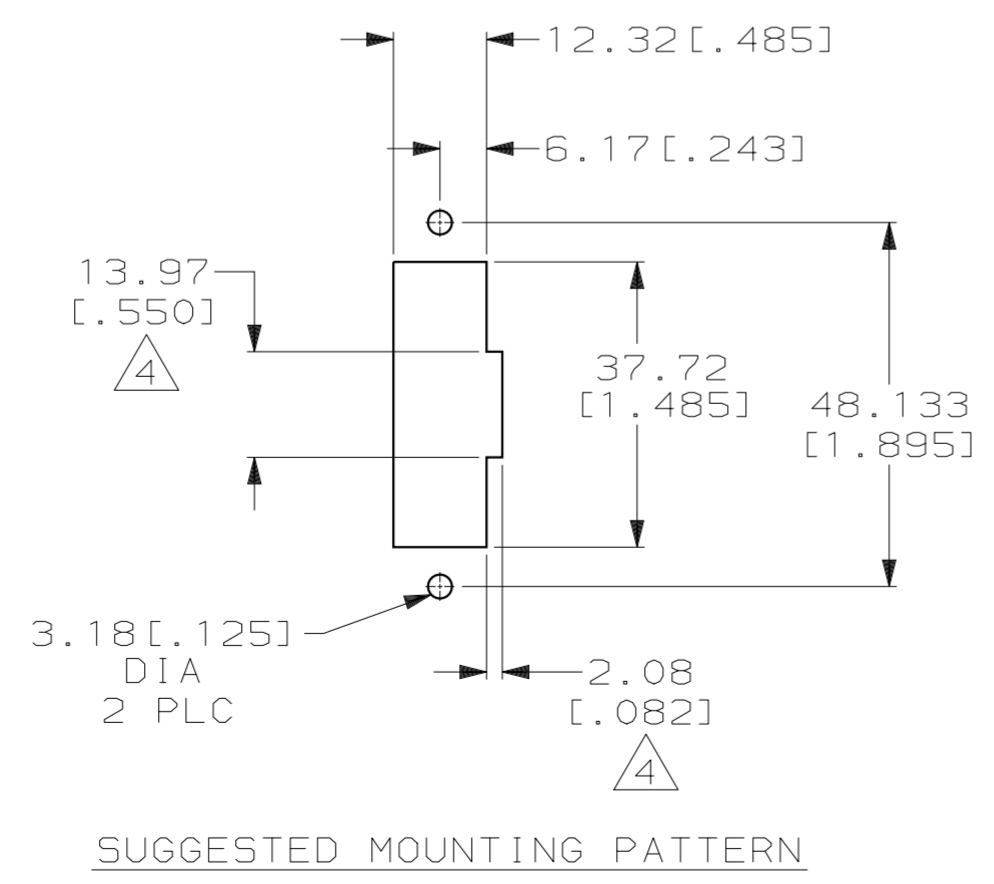


THIS DRAWING IS UNPUBLISHED. RELEASED FOR PUBLICATION  
 © COPYRIGHT 19 BY AMP INCORPORATED. ALL INTERNATIONAL RIGHTS RESERVED.

LOC		DIST		ZONE		LTR		REVISIONS		DATE	APPD
CE	00	P	F					D	ECR-05-011147	130CT05	KG/DK



1. DIMENSIONS IN [ ] ARE IN INCHES.
- 2 #4-40 THREADED INSERT.
- 3 M3X0.5 THREADED INSERT.
- 4 OPTIONAL CUTOUT FOR FIELD KEY INSERTION AND REMOVAL. KEY EXTRACTION TOOL PART NUMBER: 503679-1.



3	OBSOLETE	BEIGE	CERAMIC	502808-6
3	OBSOLETE	BEIGE	METAL	502808-5
2	OBSOLETE	BEIGE	CERAMIC	502808-4
	OBSOLETE	BLACK	CERAMIC	502808-3
2	OBSOLETE	BEIGE	METAL	502808-2
	OBSOLETE	BLACK	METAL	502808-1
		COLOR	ALIGNMENT SLEEVE MATERIAL	PART NUMBER

DO NOT SCALE PRINT. UNLESS SPECIFIED DIMENSIONS IN mm TOLERANCES ON : 2 PLC DEC ± - 3 PLC DEC ± 0.13 [.005] ANGLES ± -		DR 10-9-92 R.HILEMAN CHK 10-14-92 T.FAWCETT APPD 10-14-92 T.FAWCETT APPD 10-14-92 D.FISHER		AMP INCORPORATED Harrisburg, Pa. 17105	
MATERIAL	THERMOPLASTIC	PRODUCT SPEC	FSD TO 2.5mm BAYONET COUPLING ASSEMBLY, FIELD KEYABLE, AMP FSD, MULTIMODE		
FINISH	SEE TABLE	APPLICATION SPEC	SIZE	FSCM NO	DRAWING NO
			C	00779	502808
		WEIGHT	SCALE	2:1	SHEET 1 OF 1

METRIC